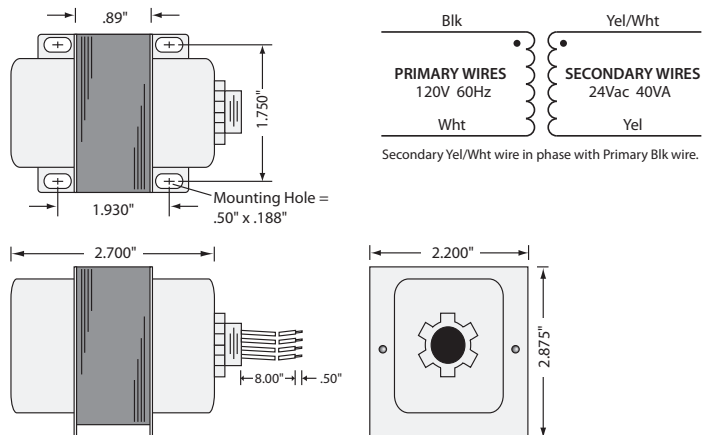
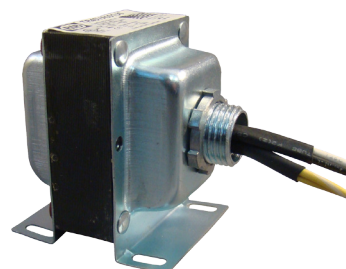


**TR40VA001US**

Transformer 40 VA, 120 to 24 Vac, Foot and Single Threaded Hub Mount



**Transformer**



**Made in USA**  
Meets  
"Buy American"  
of ARRA 2009

**Specifications**

- VA Rating:** 40
- Frequency:** 50/60 Hz
- Mounting:** Foot & Single Threaded Hub
- Over Current Protection:** Inherently Limited
- Dimensions:** 2.875" x 2.200" x 2.700" (w/ .500" NPT Hub)
- Wire Length:** 8" Typical w/ .5" Strip
- Operating Temperature:** -30 to 140° F
- MTBF:** 100,000 Hours @ 77° F
- Construction:** Split-Bobbin
- Weight:** 2.02 lbs.
- Approvals:** Class 2 UL5085-3 Listed, C-UL, CE, RoHS